

Peristaltic Liquid Pump Specifications Sheet

This peristaltic pump has been widely used in the field of experimental, biochemical analysis, pharmaceuticals, fine chemicals, biotechnology, pharmaceutical products, ceramics, water treatment, environmental protection, etc.

Specifications:

Working Voltage: DC12V

Pump Tube Material: silicone

Flow Direction: Controlled by positive and negative connection

Working Temp: 0~40°C, relative humidity <80%

Working Noise: 35dB +/- 5dB

Tube Life : > 200hours

Motor Life : > 500hours

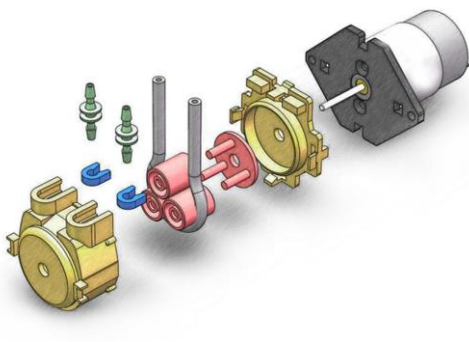
WEIGHT: 95 g

tube size	starting voltage	rated voltage	flow rate
1*3mm silicone tube	>3V	12V	>15ml/min
2*4mm silicone tube	>4.5V	12V	>53ml/min
3*5mm silicone tube	>5V	12V	>90ml/min
1*3mm silicone tube	>5V	24V	>15ml/min
2*4mm silicone tube	>6V	24V	>53ml/min
3*5mm silicone tube	>7.5V	24V	>90ml/min

*Above data is for reference and tested with pure water at 20°C.

The parameter will deviate according to medium and hours of use time.

Pump Structure:



Mechanical Drawing:

